
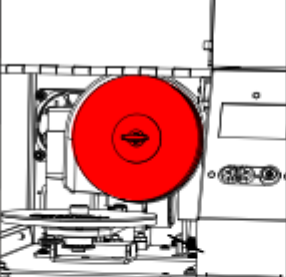

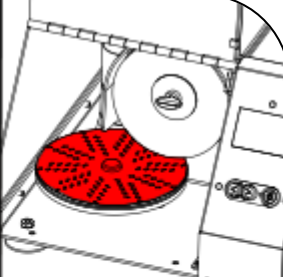
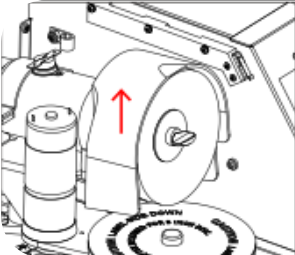
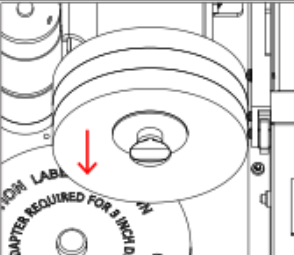
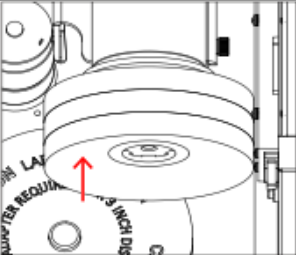
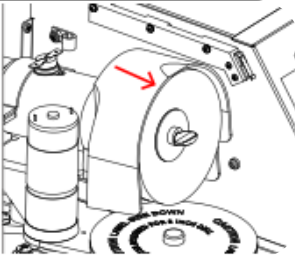


VMI-2550i – Quick Reference Sheet:

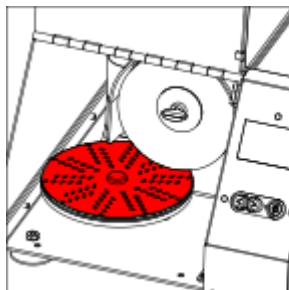
Consumables:

			
Buffing Solution 250 Minutes of operation per bottle	Buffing Wheel 500 Minutes of operation	C-2 Chip 500 Minutes of operation	Cleaner Disc Screen prompt: "CYCLE CLNR" Every 20 minutes

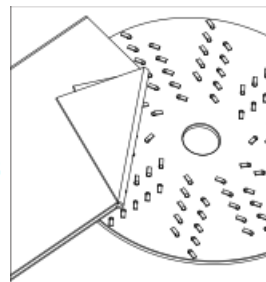
How to Replace:

			
Remove the Buffer Wheels Shield, and unscrew spade screw (counter clockwise)	Remove the screw, washer (metal & nylon), and the old buffing wheel	Install the new Buffing Wheel ("Front" stamp facing you). Insert the washer and tighten the screw	Reinstall the Buffering Wheels Shield by sliding it over the motor, then pull forward until you hear a snap/click

Cleaner Disc:



Cleaner Disc:
Use every 20 minutes

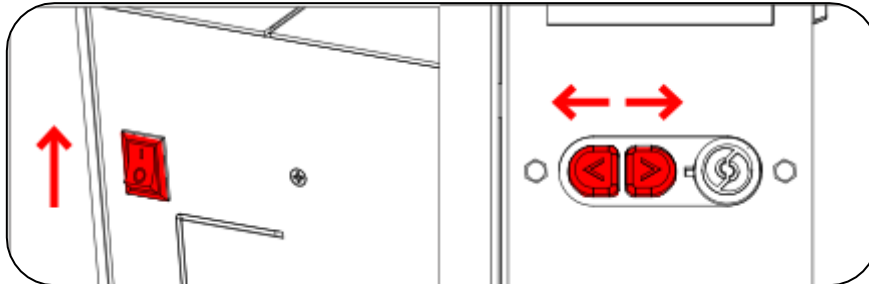


Remember to Clean the Cleaner Disc Regularly.

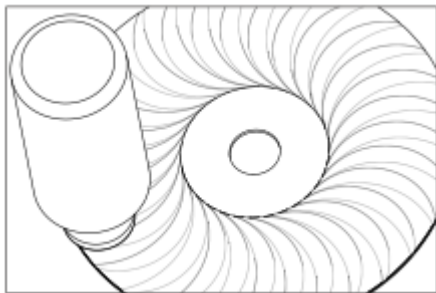
Use a soft-bristle brush (toothbrush) under running water to clear off all debris

VMI-2550i – Quick Reference Sheet:

How to use the VMI-2550i

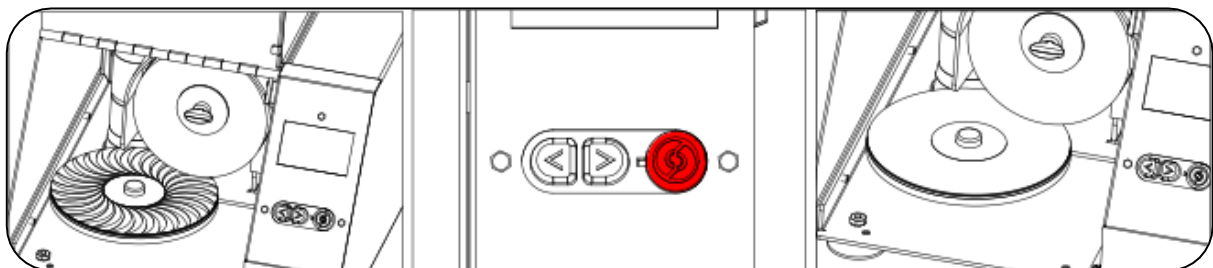


- 1) Power the machine on
- 2) Select the Repair Mode



Spread the Buffing Solution evenly over the surface of the disc.

Note: Avoid spreading solution on the clear plastic centre ring of the disc. The machine will not buff this area and solution will remain at the end of the cycle



Insert CD/DVD/Blu-Ray with Label-side facing down!

Close the Front Cover and press the Start Button

Remove the repaired disc.

Error Codes:

EC003:	Magnetic sensor is not detecting that the Platter is in Home Position
EC004:	Lift Cam Switch is not detecting that the Lift Cam is in Home Position
EMC006:	The machine is not detecting the proper amount of amperage on main motor
RC:	Replace all consumables
Emergency Stop:	Door has been opened, or a button pressed mid-cycle

Call Reface Support for help with any of the above error codes.